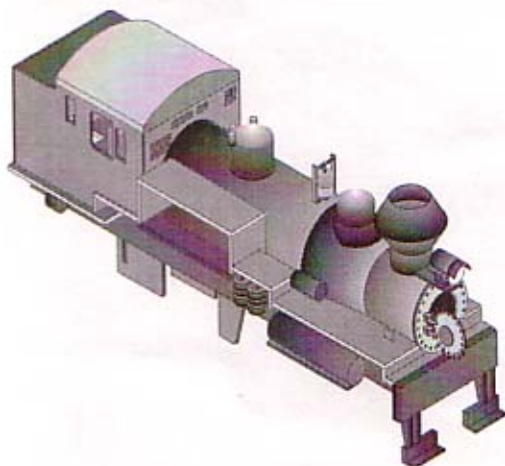
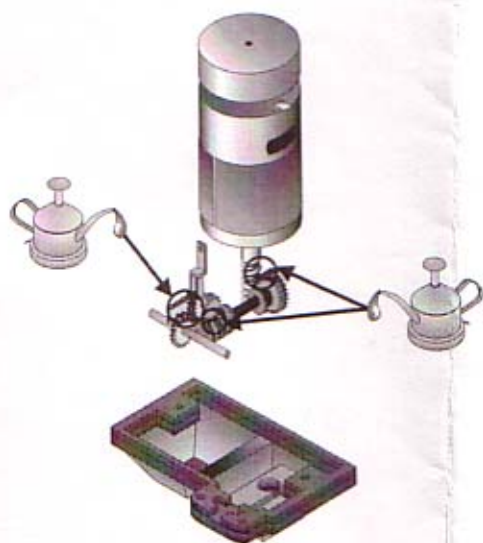


### Shay Gear and Motor Assembly

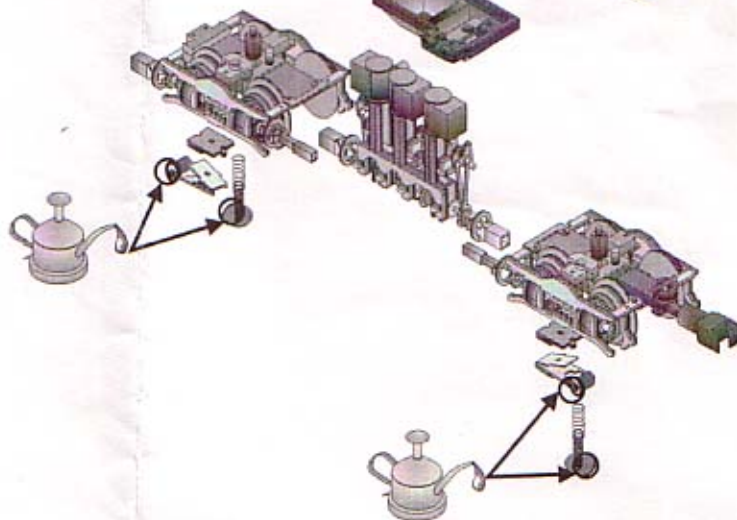
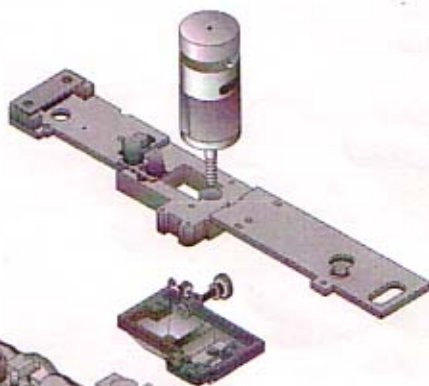


### Shay Lubrication Instructions:

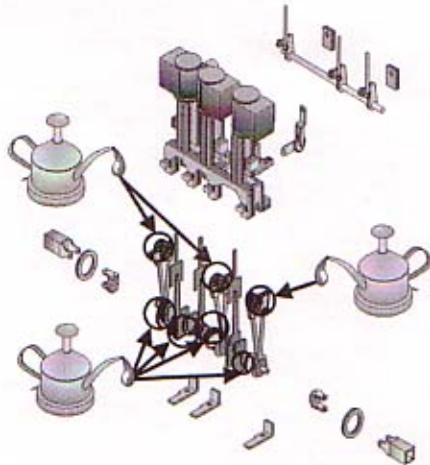
Use light weight oil to lubricate all areas indicated by the following symbol:



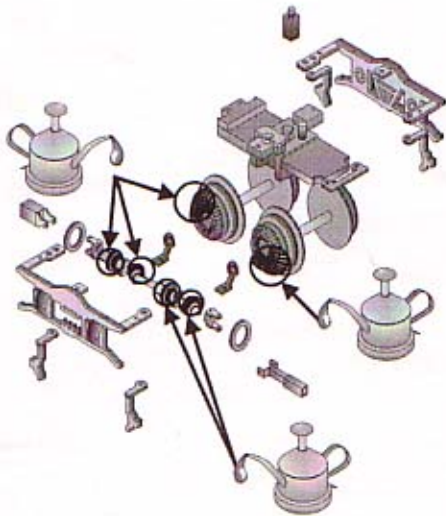
The universal joints on the ends of the axles need not be lubricated.



Shay Piston Assembly



Shay Truck without Proto-Coupler



Shay truck with Proto-Coupler

