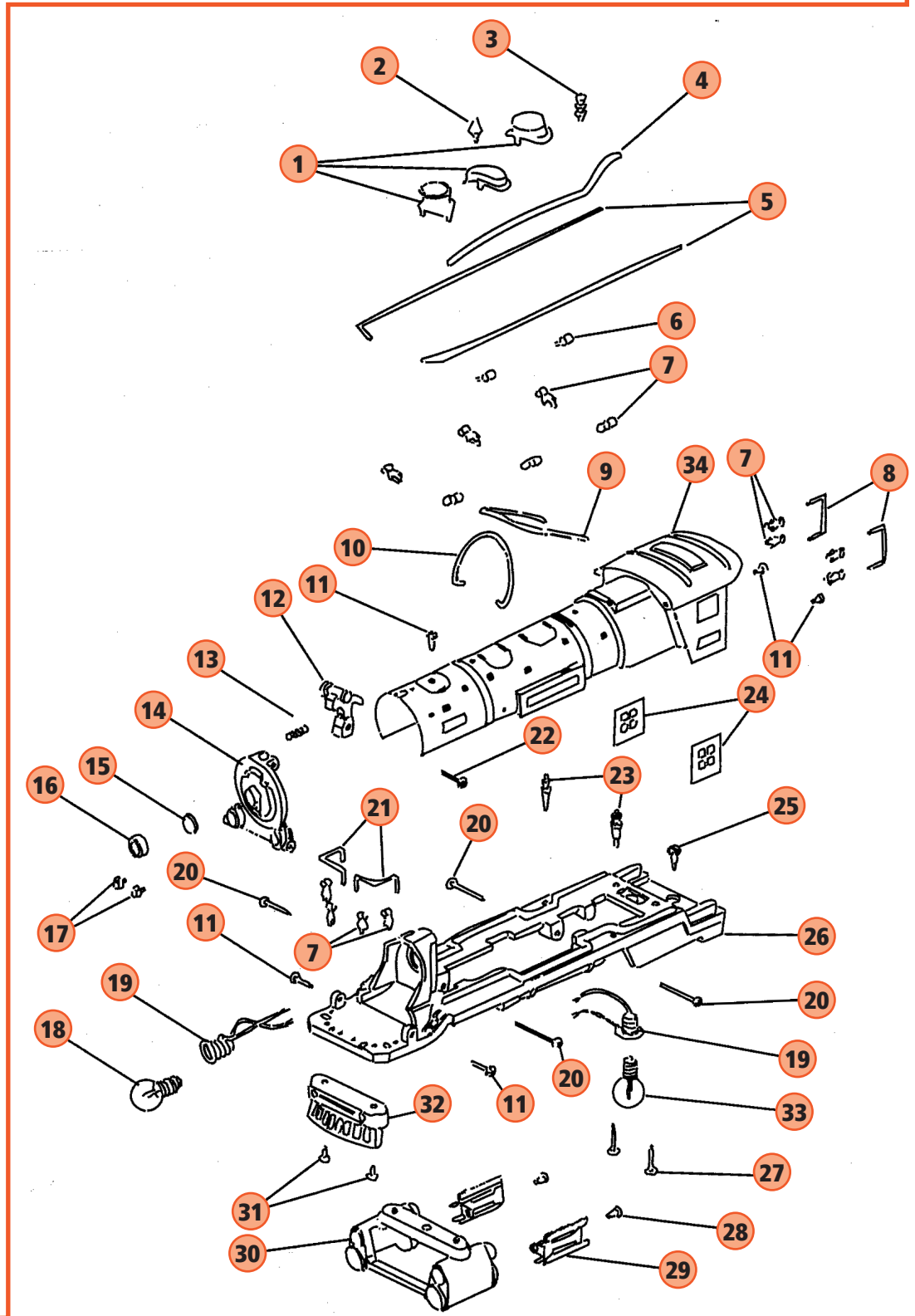


NO. 263 STEAM LOCOMOTIVE: BOILER VIEW

- 1. **TP-OE00027**
DOME SET (NICKEL)
- 2. **TP-OE00016**
BELL (BRASS)
- 3. **TP-OE00017**
BELL (NICKEL)
- 4. **TP-MS00069**
WHISTLE SMALL (BRASS)
- 5. **TP-MS00070**
WHISTLE SMALL (NICKEL)
- 6. **TP-OE00089**
STEAM PIPE (COPPER)
- 7. **TP-OE00090**
STEAM PIPE (NICKEL)
- 8. **TP-SL00147**
BOILER RAILING (NICKEL)
- 9. **TP-MS00066**
STANCHION STEAMPIPE (BRASS)
- 10. **TP-MS00067**
STANCHION STEAMPIPE (NICKEL)
- 11. **TP-MS00071**
HANDRAIL STANCHIONS (BRASS)
- 12. **TP-MS00039**
HANDRAIL STANCHIONS (NICKEL)
50 PER BAG
- 13. **TP-OE00034**
HANDRAIL (BRASS) CAB
- 14. **TP-OE00033**
HANDRAIL (NICKEL) CAB
- 15. **TP-OE00097**
SAND DOME PIPE REAR (NICKEL)
- 16. **TP-OE00098**
SAND DOME PIPE, FRONT (NICKEL)
- 17. **TP-MS00056**
SCREW 4/40X1/4
- 18. **TP-SL00072**
LATCH
- 19. **TP-SL00031**
BOILER FRONT SPRING
- 20. **TP-OE00019**
BOILER FRONT
- 21. **TP-OE00035**
HEADLIGHT LENS
- 22. **TP-OE00036**
HEADLIGHT RIM (BRASS)
- 23. **TP-OE00037**
HEADLIGHT RIM (NICKEL)
- 24. **TP-OE00040**
MARKER LIGHT, RED BOILER FRONT
- 25. **TP-MS00016**
BULB
- 26. **TP-MS00045**
LAMP SOCKET
- 27. **TP-OE00099**
SCREW 4/40 X 3/4 SMALL HEAD
- 28. **TP-OE00091**
DECK RAILING (BRASS)
- 29. **TP-OE00092**
DECK RAILING (NICKEL)
- 30. **TP-MS00058**
SCREW 4/40 X 3/4
- 31. **TP-OE00010**
AIR PUMP ((BRASS))
- 32. **TP-OE00011**
AIRPUMP (NICKEL)
- 33. **TP-OE00056**
WINDOW (BRASS)
- 34. **TP-OE00057**
WINDOW (NICKEL)

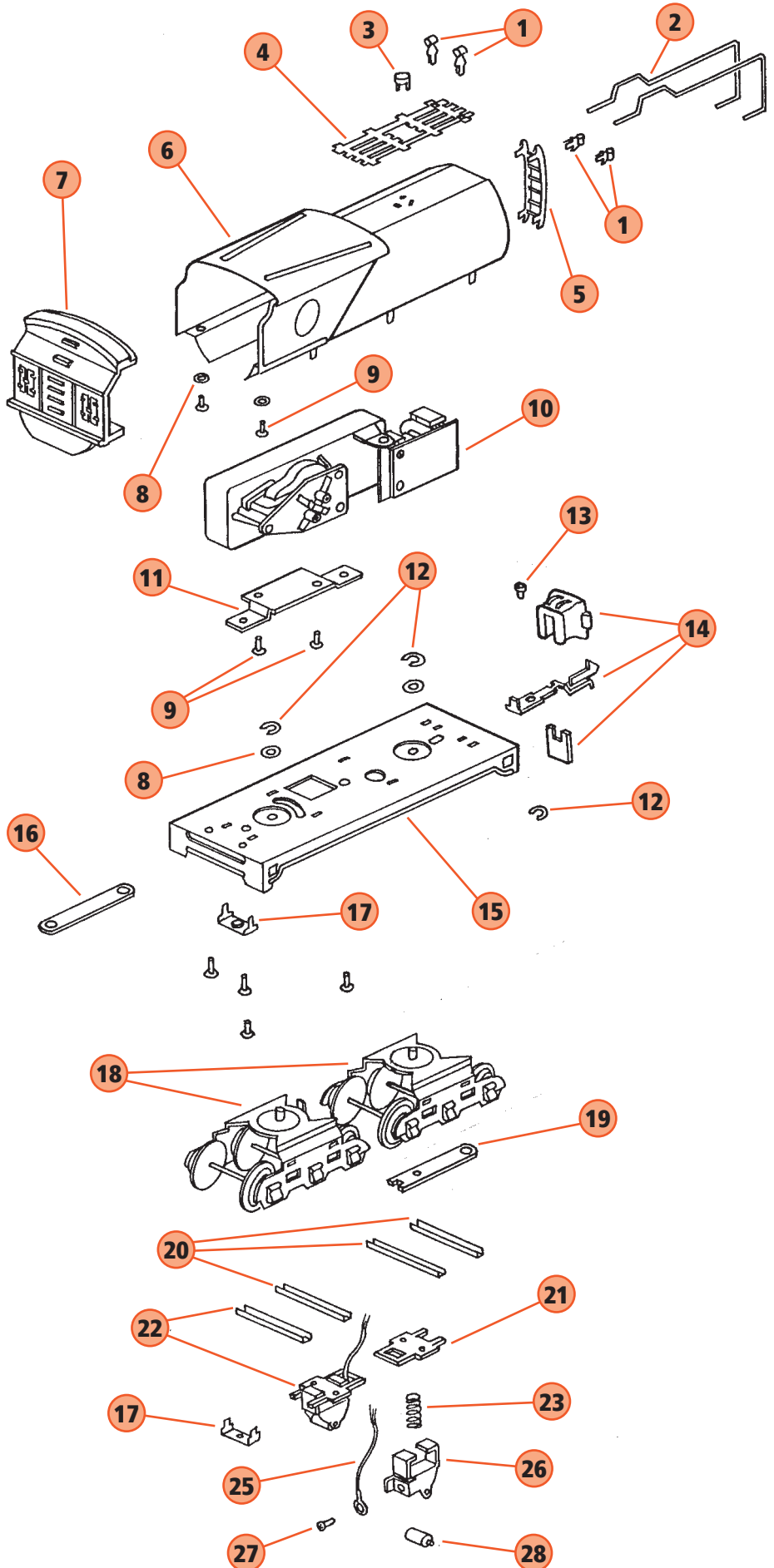
- 25. **TP-OE00028**
DRAWBAR SCREW
- 26. **TP-OE00032**
FRAME
- 27. **TP-MS00057**
SCREW 4/40 X 1/2
- 28. **TP-MS00055**
SCREW 4/40 X 3/16
- 29. **TP-SL00135**
CROSSHEAD GUIDE

- 30. **TP-OE00051**
STEAM CHEST
- 31. **TP-MS00055**
SCREW 4/40 X 3/16
- 32. **TP-OE00044**
PILOT (STEEL)
- 33. **TP-MS00017**
BULB
- 34. **UNDEFINED**



NO. 260 & 263 STEAM LOCOMOTIVE: TENDER VIEW

1. **TP-MS00071**
HANDRAIL STANCHIONS (BRASS)
- TP-MS00039**
HANDRAIL STANCHIONS
(NICKEL) 50 PER BAG
2. **TP-OT00016**
DECK RAIL (NICKEL)
3. **TP-ST00017**
DOME SMALL (BRASS)
- TP-ST00018**
DOME SMALL (NICKEL)
4. **TP-OT00015**
DECK (NICKEL) PLATED
5. **TP-ST00020**
LADDER (BRASS)
- TP-ST00021**
LADDER (NICKEL)
6. **UNDEFINED**
7. **TP-OT00023**
TENDER CAST FRONT W/O WHISTLE
- TP-OT00022**
TENDER CAST FRONT (UNPAINTED)
- TP-OT00031**
TENDER CAST FRONT (BLUE)
- TP-OT00032**
TENDER CAST FRONT (GRAY)
- TP-OT00033**
TENDER CAST FRONT (BLACK)
8. **TP-OT00028**
WASHER
9. **TP-MS00055**
SCREW 4/40 X 3/16
10. **TP-ST00040**
WHISTLE
11. **TP-OT00034**
TENDER WHISTLE MOUNTING KIT
12. **TP-OT00013**
C-CLIP
13. **TP-OT00012**
BOX COUPLER REVERT
14. **TP-OT00011**
BOX COUPLER NON OPERATING
15. **UNDEFINED**
16. **TP-ST00019**
DRAWBAR
17. **TP-ST00014**
COUPLER POCKET SQUARE
18. **TP-OT00024**
TRUCK 6 WHEEL W/PICKUP
- TP-OT00025**
TRUCK 6 WHEEL W/O PICKUP
19. **UNDEFINED**
20. **TP-OT00027**
TRUCK CROSSBRACE W/O PICKUP
21. **TP-MS00036**
FIBER INSULATOR
22. **TP-OT00026**
TRUCK CROSSBRACE W/PICKUP
23. **TP-MS00052**
PICKUP SPRING
24. **UNDEFINED**
25. **UNDEFINED**
26. **TP-MS00050**
PICKUP BRACKET
27. **TP-MS00055**
SCREW 4/40 X 3/16
28. **TP-MS00051**
PICKUP ROLLER



NO. 263 STEAM LOCOMOTIVE: MOTOR VIEW

LIONEL ELECTRIC TRAINS
MODEL RAILROAD ACCESSORIES
LIONEL CORPORATION TINPLATE

1. **TP-MS00030**
E-UNIT ARM UP PREWAR
2. **TP-OE00050**
SIDE ROD SPACER
3. **UNDEFINED**
4. **TP-SL00113**
VALVE GEAR
5. **TP-OE00039**
ECCENTRIC ROD W/COMBO ROD
6. **TP-OE00048**
SIDE ROD LONG W/CROSSHEAD
7. **TP-OE00022**
CRANK PIN SCREW
SMALL SHOULDERS
8. **TP-OE00049**
SIDE ROD
9. **TP-OE00042**
MOTOR COMPLETE
W/O REVERSE UNIT
10. **TP-OE00085**
WHEEL TRAILING
(SPOKE BLK OXIDE)
11. **TP-ST00013**
COTTER PIN
12. **TP-OT00028**
WASHER
13. **TP-ST00068**
14. **TP-OE00029**
ECCENTRIC SCREW
15. **TP-OE00066**
WHEEL LEAD SOLID (BLK OXIDE)
16. **UNDEFINED**
17. **UNDEFINED**

