



GS-4 STEAM ENGINE

30-4182-1E

PARTS LIST & EXPLODED VIEW

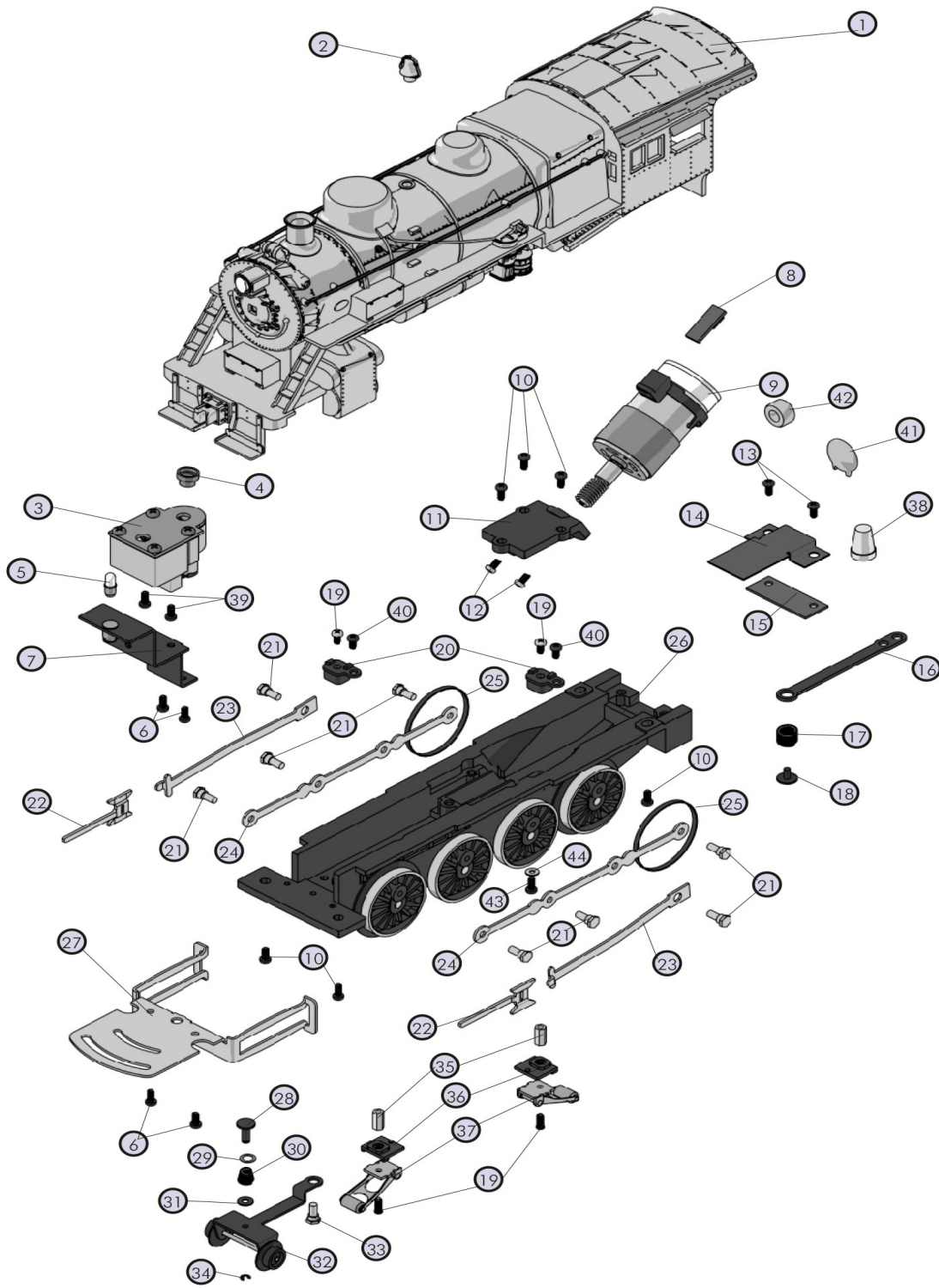
REV. 07.2015

PARTS LIST: GS-4 STEAM ENGINE (BANTAM)



1.) SHELL (ORANGE, RED, SILVER, BLACK) (BOILER)(S.P. DAYLIGHT)(# 4449)	FB-1200182	(TOP)(SQUARE)(PICK-UP)	
2.) SCREW (4/40X6.0MM)(ROUNDHEAD)	IA-0000003	33.) DRIVE BLOCK (BLACK)(4 AXLE)	DF-1200027
3.) BELL (NICKEL)	FB-1200002	34.) SIDE ROD (NICKEL) (1.0X87.5MM)(4 BOLT HOLES)	EC-1250023
4.) NUMBER BOARD HOUSING (RIGHT)(BLACK)(S.P. DAYLIGHT)(# 4449)	FB-1210041	35.) BOLT (NICKEL) (M3X8.0MM)(HEX HEAD)(4.0X2.5MM SHOULDER)	IA-0000087
5.) NUMBER BOARD HOUSING (LEFT)(BLACK)(S.P. DAYLIGHT)(# 4449)	FB-1220048	36.) DRIVE ROD (NICKEL)	EC-1250022
6.) SIDE PANEL (ORANGE) (RIGHT)(S.P. DAYLIGHT)(# 4449)	FB-1210038	37.) CROSSHEAD (NICKEL) (38.8MM LONG)	EC-1250016
7.) SIDE PANEL (ORANGE) (LEFT)(S.P. DAYLIGHT)(# 4449)	FB-1220045	38.) WASHER (BLACK) (3.0X6.0X0.4MM)(FIBER)	ID-0000040
8.) HANDRAIL (NICKEL) (RIGHT)(BOILER)(196.0X30.0X25.0MM)	FB-1210037	39.) SCREW (6/32X4.0MM)(ROUNDHEAD)	IA-0000060
9.) HANDRAIL (NICKEL) (LEFT)(BOILER)(196.0X30.0X25.0MM)	FB-1220044	40.) SPACER (BLACK) (6.0X9.0X3.8MM)(METAL)	ID-0000103
10.) STANCHION (BLACK) (PLASTIC)(3.0MM LONG)	FB-1200242	41.) E-CLIP (3.5X9.0X0.6MM)	IF-0000009
11.) MARKER LIGHT HOUSING (BLACK)	FB-1200184	42.) WASHER (5.5X10.0X0.5MM)	ID-0000075
12.) BOILER FRONT (SILVER) (S.P. DAYLIGHT)(# 4449)(METAL)	FB-1230004	43.) SPRING (NICKEL) (6.5X12.5X13.0MM)(0.6MM THICK WIRE)	IE-0000062
13.) LENS (HEADLIGHT)(CLEAR)	FA-1230022	44.) WASHER (5.5X15.0X1.0MM)	ID-0000095
14.) INSULATOR (REFLECTIVE PLASTIC)	ID-0000134	45.) TRUCK (BLACK) (2 AXLES)(TRAILING)(BOILER)	DA-1240032
15.) SMOKE UNIT (PROTO-SOUND® 2.0)	AA-0000070	46.) SPACER (3.5X15.0X3.5MM)(METAL)(CUPPED)	ID-0000132
16.) BULB (CLEAR)(HEADLIGHT) (6V)(SCREW BASE)(SMALL GLOBE)1	CA-0000038	47.) SPACER (BLACK) (3.5X15.0X2.5MM)(METAL)(CUPPED)	ID-0000014
17.) BRACKET (BLACK) IH-0000085 (3 STEP)(HEADLIGHT/SMOKE UNIT)		48.) E-CLIP (2.5X6.0X0.5MM)	IF-0000004
18.) BRASS CUP (SMOKE UNIT)	AA-0000102	49.) TRUCK (BLACK) (LEAD)(2 AXLE)(BOILER)	DA-1230022
19.) SCREW (6/32X8.0MM)(ROUNDHEAD)	IA-0000050	50.) NUT (2.5X5.0X10.0MM)	IC-0000005
20.) TACH BOARD	AG-0000033	51.) INSULATOR (BLACK) (PICK-UP)(BOTTOM)(PLASTIC)	BD-0000001
21.) MOTOR (RS-365SH) (8.0X21.0MM WORM GEAR)(13.0MM LONG THREADS) (9.0X30.0MM WHITE FLYWHEEL W/ BLACK STRIPES) (TACH BOARD MOUNTING STRAP)	BE-0000076	52.) PICK-UP (8.0X11.0MM ROLLER)(28.0MM LONG)	BD-0000048
22.) WASHER (BLACK) (3.0X6.0X0.4MM)(FIBER)	ID-0000040	53.) CROSSHEAD GUIDE ASSEMBLY	EA-1200013
23.) MOTOR MOUNT (BLACK)	BI-0000034	54.) PIN (3.0X15.0MM) (1.3X6.0MM ROUNDHEAD)(1E-CLIP GROOVE)	IG-0000003
24.) SCREW (YELLOW ZINC) (M2.5X6.0MM)(ROUNDHEAD W/ LOCK WASHER)	IA-0000089	55.) SPRING (NICKEL) (6.5X9.0MM)(0.5MM THICK WIRE)	IE-0000009
25.) TRACTION TIRE	DE-0000022	56.) BRACKET (BLACK)(LEAD TRUCK)	IH-1230006
26.) SCREW (M3X6.0MM)(ROUNDHEAD)	IA-0000016	NS.) WIRE HARNESS (10 PIN FEMALE PC BOARD)	BC-1200191
27.) PC BOARD (GREEN) (W/ 10 PIN FEMALE PLUG)	AG-0000096		
28.) PIN (5.0X25.0MM) (1.5X8.0MM FLATHEAD)(2 E-CLIP GROOVES)	IG-0000033		
29.) DRAW BAR	FB-1200181		
30.) SCREW (M2.5X6.0MM)(WASHER HEAD)	IA-0000108		
31.) SCREW (NICKEL) (M3X6.0MM)(ROUNDHEAD)	IA-0000015		
32.) INSULATOR (BLACK)	BD-0000026		

EXPLODED VIEW: GS-4 STEAM ENGINE (BANTAM)



PARTS LIST: GS-4 STEAM ENGINE TENDER (BANTAM)



1.) SHELL (TENDER)(PLASTIC) (S.P. DAYLIGHT)(ORANGE, RED, SILVER, BLACK)	GA-1200071	31.) T-BAR	IG-0000001
2.) SCREW (M3X4.0MM) (FLATHEAD)	IA-0000389	32.) COUPLER (BLACK) (PROTO SOUND® 2.0)(51.0MM LONG)	DD-0000032
3.) BATTERY (AA, 2.4V 700MAHR)	BG-4000003	33.) INSULATOR, COUPLER	ID-0000123
4.) BRACKET (PLASTIC)(BLACK)	IH-0000416	34.) SPRING (NICKEL) IE-0000022 (6.5X14.0MM)(W/ 0.5MM THICK WIRE)	
5.) BRACKET (METAL)(BLACK)	IH-0000417	35.) WASHER (4.5X10.0X5.0MM)	ID-0000009
6.) SCREW (M2.5X4.5MM)(ROUNDHEAD)	IA-0000058	36.) E-CLIP (3.0X8.0X0.5MM)	IF-0000001
7.) SCREW (M3X15.0MM) (ROUNDHEAD)	IA-0000390	37.) GROUND STRAP (COPPER)	II-0000029
8.) SCREW (M3X8.0MM)(ROUNDHEAD)	IA-0000035	38.) DRAW BAR (60.7X10.0X1.2MM)(1 STEP, 2 BENDS) (2 LARGE HOLES, 1 SMALL HOLE)	GA-1200027
9.) VOLUME POT (SMALL)(BLUE)	BI-0000040	39.) SCREW (4/40X6.0MM) (ROUNDHEAD)	IA-0000003
10.) SPACER (BLACK) (3.0X6.0X4.0MM)(PLASTIC)	ID-0000071	NS.) AXLE BEARING (BLACK) (3 AXLE)(PLASTIC)	DC-0000005
11.) SCREW (M3X8.0MM)(ROUNDHEAD)	IA-0000035		
12.) SPEAKER CONE (44MM ID X 48MM OD X 22MM TALL)	BF-0000042		
13.) SPEAKER (4 OHMS)(MAX 3W)(50MM DIAMETER)	BF-0000034		
14.) GASKET SPEAKER (43.8MM I.D.X49.8MM O.DX3.0MM)(FOAM)	IB-0000009		
15.) BRACKET, PS2 BOARD	IH-0000391		
16.) PS2 BOARD (POWER) (PROCESSOR)	AE-0000011		
17.) SCREW (4/40X3.5MM)(ROUNDHEAD)	AE-0000010		
18.) BRACKET (HEATSINK)	IA-0000391		
19.) SCREW (6/32X5.5MM)(ROUNDHEAD)	IH-0000418		
20.) SCREW (M2.5X3.5MM) (ROUNDHEAD)	IA-0000392		
21.) BRACKET (METAL)(BLACK)	IA-0000393		
22.) SPACER (6.5X9.5 METAL COVERED W/ 14.0MM LONG HEAT SHRINK)	IH-0000419		
23.) SCREW (M2X7.5MM)(ROUNDHEAD)	ID-0000129		
24.) WIRE HARNESS (BATTERY CHARGER)	IA-0000394		
25.) HARNESS, TENDER	BC-1200189		
26.) HARNESS, TENDER (INSIDE)	BC-0000217		
27.) CHASSIS (TENDER) (HAS HOLES FOR BATTERY CHARGER JACK)(BLACK)	BC-1200190		
28.) SCREW (M3X16.0MM)(WASHER HEAD)(SELF-DRILLING THREADS)	GB-1200063		
29.) SCREW (6/32X6.0MM)(WASHER HEAD)	IA-0000025		
30.) TRUCK (BLACK) (3 AXLE)(LEADING/TRAILING)(TENDER)	IA-0000214		
	DA-1250005		

EXPLODED VIEW: GS-4 STEAM ENGINE TENDER (BANTAM)

