

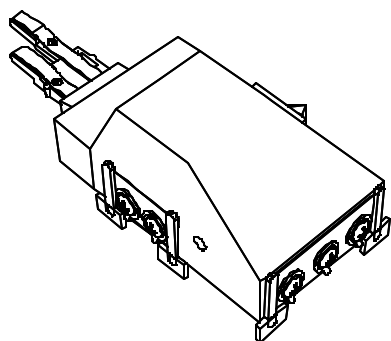
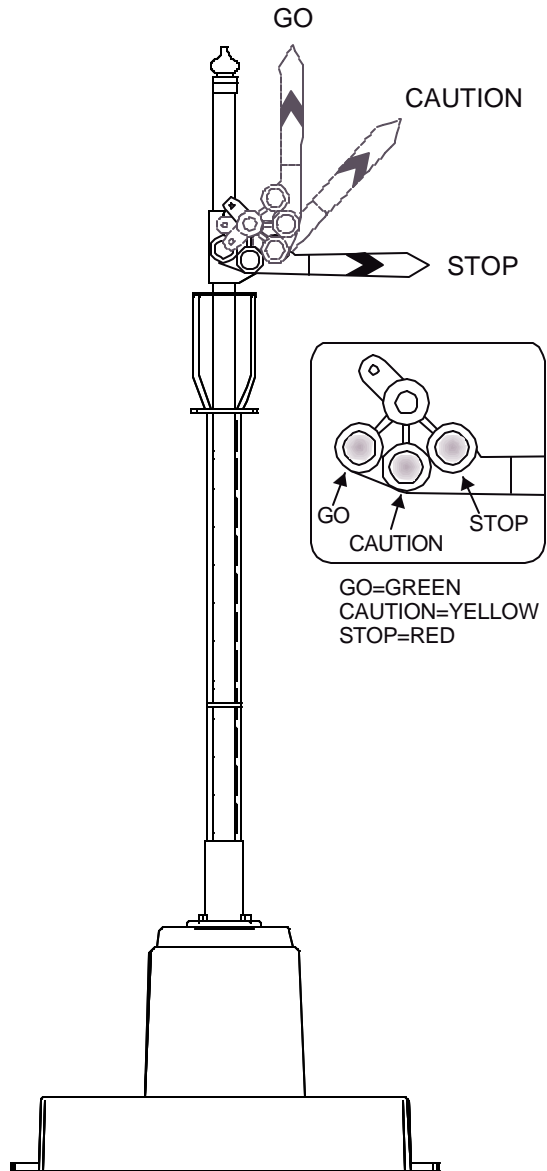
Three Position Semaphore 30-11023

The RailKing® Three Position Semaphore is a fully functioning signal that will automatically switch between the three positions of Caution, Stop, and Go.

When power is first applied to the signal, the signal's flag will move to the Caution position (the flag will be at an angle with the yellow light lit). After 10 seconds, the signal flag will rise to the Go position (the flag will be straight up and down and the Green light will be lit). When connected to an ITAD or TAD, the flag will drop to the Stop position (the flag will be in the horizontal position with the Red light lit) when a train activates the ITAD or TAD. After the train passes the ITAD or TAD, the signal will return to the Yellow position, beginning the process over again.

Wiring the Signal

1. Connect your ITAD or TAD to your layout in the desired location of activation.
2. Connect the BLACK wire to the Common (-) terminal of the ITAD or TAD.
3. Connect the RED wire to the Normally Open (NO) terminal of the ITAD or TAD.
4. Connect the GREEN wire to the Normally Closed (NC) terminal of the ITAD or TAD.



M.T.H. Electric Trains®
7020 Columbia Gateway Drive
Columbia, Md 21046
internet: www.mth-railking.com